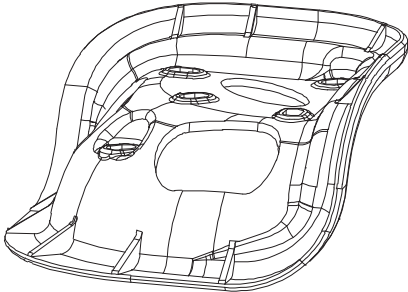
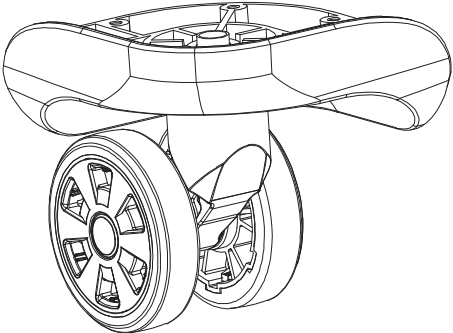
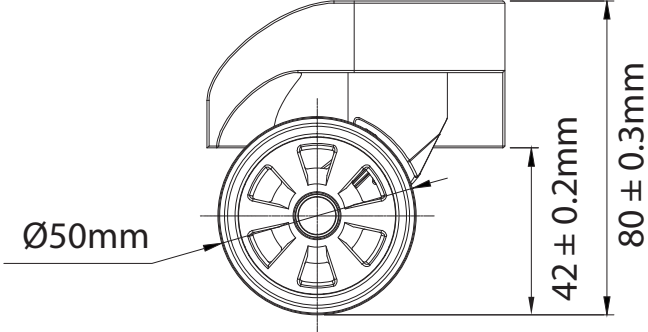
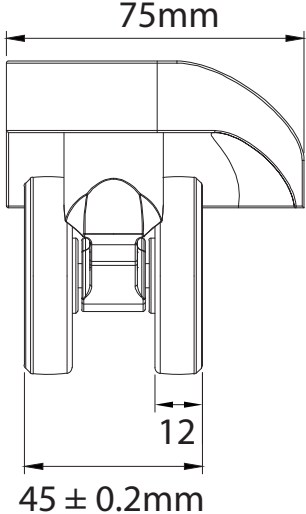


Spinner w/Double Wheel 50 - WR079 + WHL058



This Systems Includes
Inner Housing-WHUR079