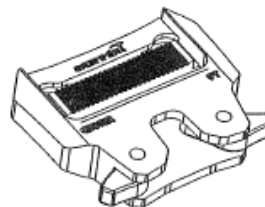
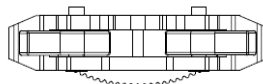
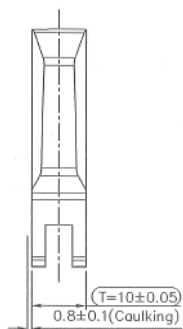
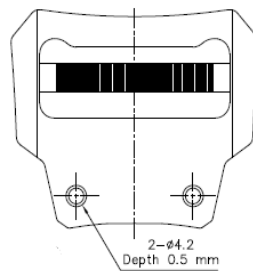
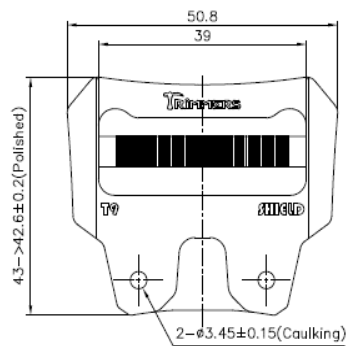
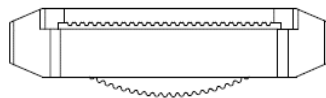
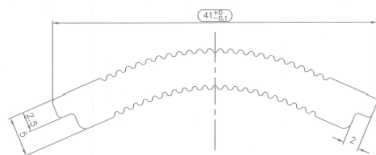
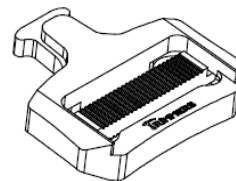
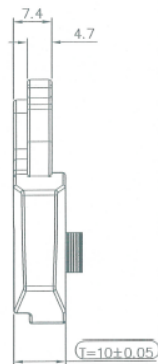
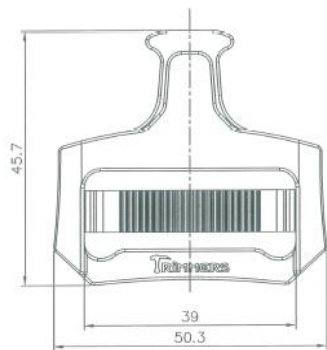


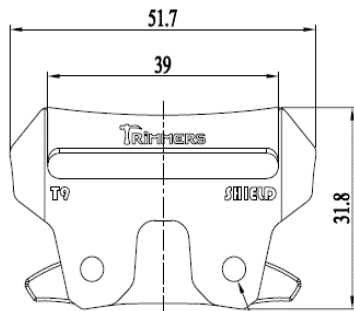
T9_SHIELD BUCKLE_SRS009FD38



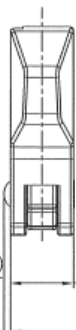
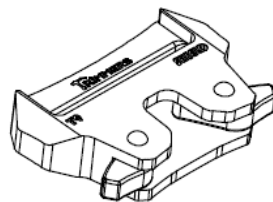
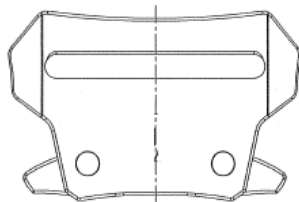
T9_SHIELD BUCKLE_SRS010MD38



T9_SHIELD BUCKLE_SRS009FS38



2-Ø3.45±0.05 (Caulking)

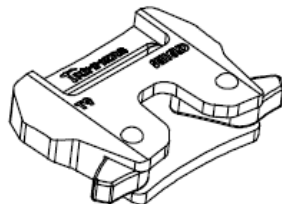
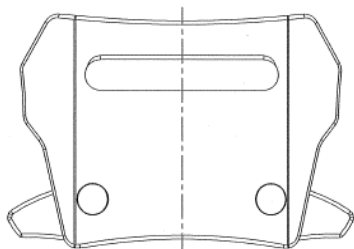
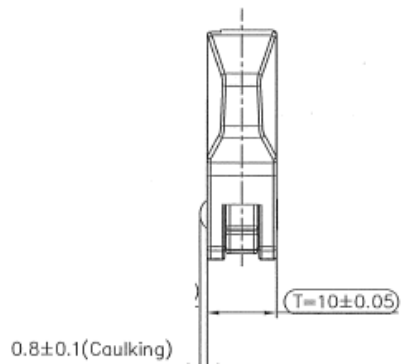
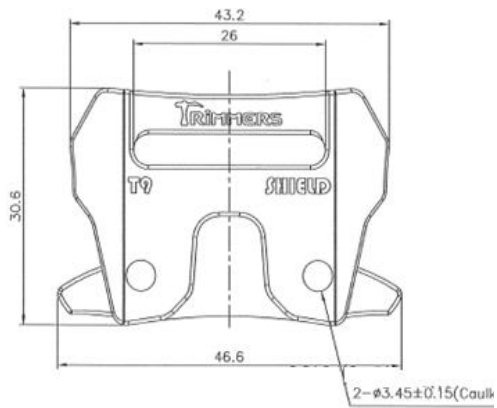


$T=10\pm0.05$

0.8±0.1(Caulking)



T9_SHIELD BUCKLE_SRS013FS25



T9_SHIELD BUCKLE_SRS014MD25

