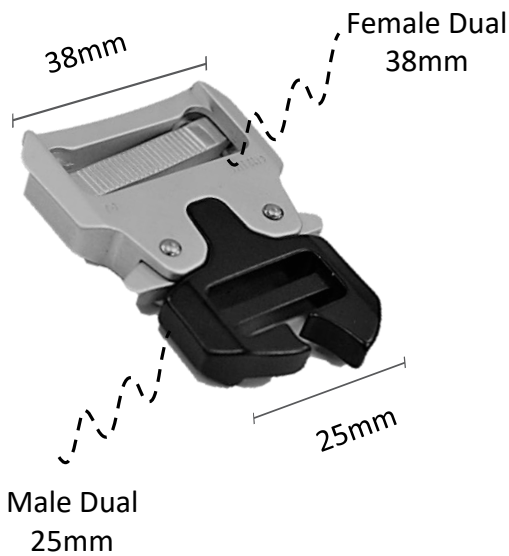


INTRODUCTION OF T9_SHARK TAIL BELT BUCKLE



Item #: SRS009FD38 & SRS016MD25

Materials: Alu7075 T6 & Alu6061T6

Size: Female 38mm & Male 25mm

Thickness: T = 10mm

Color: Anodizing Black/Silver

Technical Details

- Aircraft grade aluminum
- Main application for waist belt, ...
- Shark tail has bottle open function
- Private label can be applied

Testing Information

Item Code	Size	Tensile Strength
SRS009FD38_ SRS016MD25	FD38MM MD25MM	232 Kgf



Bottle Opener



Waist Belt

**CONTACT US
TO GET SAMPLES!**

TRIMMERS VIETNAM CO.,LTD

Plot CN16, Block 5 and part of Block 4, Road 6, Song Than 3 Industrial Park Phu Tan Ward, Thu Dau Mot City, Binh Duong, Viet Nam

sales@trimmerspro.com

(+84) 274.378.8797 or (+84) 274.378.8716