



WEBINAR V2.0



HANDLE WHEELS HARD SHELL

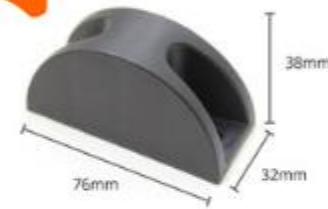
PART 2



HALF MOON FOOT

Item#: SR004

This design is inspired by the half moon, providing firm balance on any surfaces.

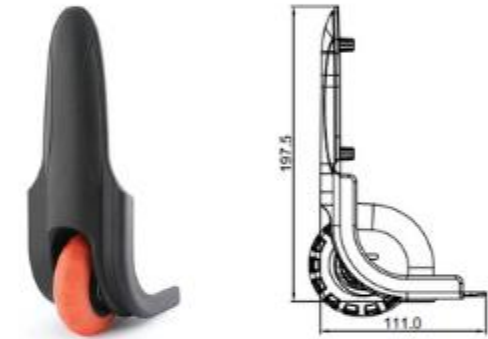


SPEEDLITE UPRIGHT WHEEL

Item#: WR009 + WHL011

Wheel Diameter: 70mm

Lightweight with stress reinforced wheel design and elegant look provides an easy movement for any golf bag covers, luggages and more.



EASY ACCESS MONO FOOT

Item#: SS004

A simple way to keep luggage, suitcase in balance. Multiple height sizes for any applications.



CRUISER SKID PLATE

Item#: KR005

A great match to protect bottom of luggages, golf bags and more. Place for a private logo available.



LARGE CHASSIS HANDLE

EXCLUSIVE

The extra wide retractable handle design allows maximum interior space utilization. The two tubes that are 36cm apart are placed on edge of the bottom compartment unlike typical bottom compartments where the two tubes are placed at the center of bottom compartments, providing maximum space utilization.



The handle grip (PP+TPR) offers comfort feel and durability

Big wheels (110mm diameter length) for smooth rolling on rough terrain.





HYBRID SHELL TRAY HANDLE

Item#: PY3803AR30KR10

Wheel diameter: 80mm

Middle bracket of the handle provides all around protection of the handle grip. The base tube is installed with plastic bumper for better protection and more lugged look. It is best matched with our Hybrid Bottom Compartment.



HYBRID CORNER GUARD

Item#: CP007_0 + CP007_1

Heavy duty corner guard ensures lugged look and durability of the luggage



HYBRID WHEEL

Item#: WR034 + WHL014

Wheel diameter: 80mm

A wheel design is great for small bags and luggage. Special wheel housing also works as skid plate on back of the luggage.



EASY ACCESS MONO FOOT

Item#: SS004



CALIBER HANDLE

Item#: PY3103R25R28

This retractable handle provides confidence on uneven pavements, and the soft durable (ABS+TPR) rubber grip offers extra comfort.



HEAVY DUTY CORNER PROTECTOR

Item#: CP003_001 + CP003_003
Two-piece design (placed outside and inside of the luggage skin) protects from abrasions on the corners



CALIBER WHEEL

Item#: WR029 + WHL007
Wheel Diameter: 90mm

Reinforced axle design provides a ground clearance of 55mm, making it non-slip mechanism on any surfaces .



ICE BREAKER SQUARE TRAY HANDLE

Item#: PY0303R23R03
 The mono aluminum tube system provides the minimal design.



METASTICS™ MONO FOOT

Item#: SR033
 The item is made with PP (Polypropylene) material with an aluminum tube, providing more than enough strength needed to handle heavy weights to protect the bottom of the luggage with uncompromising style.



ICEBREAKER WHEEL WITH BIKE TREAD WHEEL

Item#: WR002C + WHL032
Wheel diameter: 80mm
 High ground clearance (around 40mm), and repairable axle with anti-loose mechanism are provided by this wheel. It is great for small bags including school wheeled bags, tool bags, business luggage, etc.



EXCLUSIVE



CHASM EXTENSION HARD SHELL

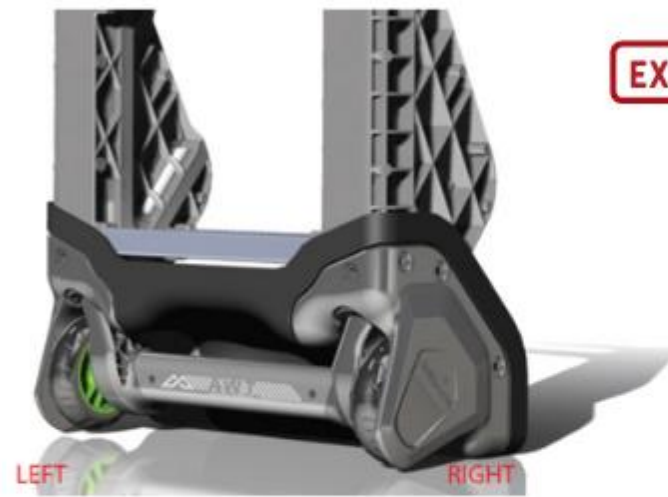
The shell is made with strong Polycarbonate (PC) plastic, Oversized wheels offer smooth rolling on uneven paths. Also, V-Tubing telescoping handles provides special appearance for the hard shell. Besides, clear internal design allows maximum packing space and minimizes wrinkling.



HARD SHELL

Made with strong Polycarbonate (PC) materials. Custom debossed logo can be applied on Hard shell.

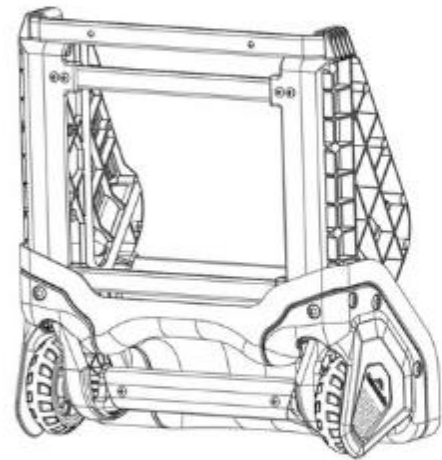
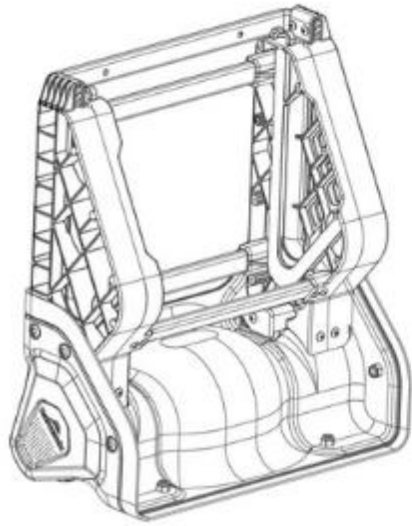




EXCLUSIVE

TERRANE ADAPT WHEEL FRAME SET

This is the terrane adapt wheel set with World's first terrane adaptable wheel technology. It markedly contributed helping Kathmandu winning the ISPO Gold Award 2017. The adaptive wheel-set design is made with plastic and aluminum wheel chassis, It effortlessly withstands heavy load from the bag and allows to quickly change from a trolley to a backpack.



Luggage - Travel - Australia/NZ - Kathmandu

Copyright © Trimmers. All rights reserved.

ICE BREAKER SQUARE TRAY HANDLE

Item#: PY0303R23R03

The solid structure of mono aluminum tube system ensures the compact and lightweight design. The handle doesn't take up much space in the internal compartment therefore, more space for storage.



METALLIC SINGLE SLOT STRAIGHT WEB HANDLE

Item #: HG517

A simple handle design with a aluminum tube and webbing, providing rigid and strong handle grip with over 25 color choices.



LOOPER WHEEL

EXCLUSIVE

Wheel Diameter; 80mm
Reinforced edge design provides a 55mm high ground clearance which allows the bag to roll easy on rough surfaces.



HALF MOON FOOT

Item#: SR004

This design is inspired by the half moon, providing firm balance on any surfaces.



CRUISER HANDLE

Item#: PY3203AL54W41_3

Sturdy handle construction with upscale handle grip. Various colors can be applied on handle tubes



AKITA TOP HANDLE

Item #: HG068

Light weight and minimal design retractable handle



SPINNER WHEEL



Item#: WR061 + WHL037

Wheel Diameter; 60mm

Multi-directional dual spinner wheels for effortless mobility,

AKITA RETRACTABLE HANDLE

Sturdy and strong construction, this retractable handle provides confidence on uneven pavements



BOW TYPE STANDARD WHEEL WITH CORNER GUARD

Item#: WR040 - WHL011
Wheel Diameter: 70mm

Lightweight wheel system offers easy maneuverability.



SORENT GRILL SEWABLE RAIL

Item#: SR027

Protects pull handles from outside edge design. Multiple size for any applications





SPINNER WHEEL

Item#: WR047_WHLO44

Wheel Diameter: 60mm

360 degree rolling allows the luggage can maneuver effortlessly when traveling around.



MALIBU HANDLE

Item# : PY4215W40W41

Wide handle design provides extra stability. Black ESD coating and anodized surface treatment with various color available.

LOCOMO ADVENTURE BOTTOM COMPARTMENT

Item#: PY3203AL77W67 + WR062 + WHL045 + CP011



CALIBER HANDLE

Item#: PY3203AL77W67

Superb grip & outstanding comfort and feel with the Hex-textured TPR rubber underneath the handle grip.



CORNER PROTECTOR

Item#: CP011

Material: Aluminum
Various colors available to match your handle color
Protect luggage from any damage with rigid aluminum material



METASTICS™ MONO FOOT

Item#: SR033

Made with PP material with an aluminum tube, providing more strength needed to handle heavy weights to protect the bottom of luggage with uncompromising style.



LOCOMO TWILL WHEEL

Item#: WR062 + WHL045

Wheel Diameter: 84mm
Heavy-duty oversized wheel is made of Polypropylene (PP) and aircraft grade aluminum, making it light and strong; allowing it to smoothly maneuver over rough paths.

SPEEDLITE ROUND TRAY HANDLE

Item#: PY3610R26R28

Strong retractable handle construction with easy to operate handle grip which offers stability and comfort when traveling around.



EASY ACCESS MONO RAIL

Item#: SR008

It protects duffle bag, luggage bottom from any scratches and impacts.



CALIBER WHEEL 90

Item# : WR029 + WHL007

Big wheel provide a strong construction to support for heavy loads offer a 55mm high ground clearance to maneuver over rough pavements.



CALIBER ROUND TRAY HANDLE

Item#: PY3103R25R28
Strong retractable handle construction with easy to operate handle grip which offers stability and comfort when traveling around.



EASY ACCESS MONO RAIL

Item#: SR008
It protects luggage from any scratches and damage.



ICEBREAKER WHEEL

Item#: WR002C+WHL022
Wheel Diameter: 80mm

Big wheel provide a strong construction to support for heavy loads offer a 55mm high ground clearance to maneuver over rough pavements.



SPEEDLITE DUFFLE WHEEL

Item#: WR007 + WHL002

The large wheel housing allows to distribute the luggage load. Skid rail integration function is an added bonus



EASY ACCESS MONO RAIL

Item#: SR008

With the integration on the Speedlight duffle wheels, Helps to protect luggage bottom from any abrasions.



HALF MOON FOOT

This design is inspired by the half moon, providing firm balance on any surfaces.

EASY ACCESS MONO RAIL

Item#: SR008

It protects duffle bag, luggage bottom from any scratches and impacts.



SPEEDLITE DUFFLE WHEEL

Item#: WR007 + WHL002

This is a large-style wheel (wheel diameter 70mm) which creates 55mm high ground clearance makes the maneuvering easy on rough paths. It is good ideal for duffle bags, and any soft case luggage with the versatile wheel housing design.



HALF MOON FOOT

Item#: SR004

It protects duffle bag, luggage bottom from any scratches and impacts.



AKITA ROAD MASTER WHEEL 80 (SOFT CASE)

Item#: WR071+WHL053

This is a large-style wheel (diameter 80mm) which creates 55mm high ground clearance makes the maneuvering easy on rough paths.

It is good ideal for any soft case luggage with the versatile wheel housing design.

CRUISER FOOT

Item#: SR003

Made with PP materials which ensuring durability and protect from any damage.



LOCOMO TWILL WHEEL

Item#: WR062+WHL045

Honey comb wheel hub provides premium look and feel. High ground clearance makes the maneuvering easy on rough paths.



**LOCOMO PRO HARDSHELL
BOTTOM COMPARTMENT**

Item#:PY3203AL54W41 +
WR062 + WHL045



LOCOMO TWILL WHEEL

84mm-diameter wheel Installed with heavy duty aluminum side frames, providing stable & smooth rolling on concrete surfaces.



CRUISER RETRACTABLE HANDLE

Sturdy aluminum telescoping handle with ergonomic handle grip for extra comfort. The handle is installed outside the shell to provide more space to store inside



CORNER PROTECTOR

To prevent any damages to the corners.

HARD SHELL

PolyCarbonate Vacuum Thermo Forming molding process. The shell can be



METASTICS™ MONO FOOT

It is made with PP (Polypropylene) material with an aluminum tube,

EASY ACCESS MONO FOOT

Item#: SS004

Made by PP (Polypropylene) material. This item helps the luggage stand easily on the floor. It is also durable & strong enough to grab and lift from luggage carousels.



AKITA ROAD MASTER WHEEL

Item# : WR071+WHL014

Made by PP (Polypropylene) and TPU material. Heavy-duty oversized wheel allows to smoothly maneuver over rough paths.



MALIBU RETRACTABLE HANDLE

Item#: PY4215W40W41

Extra diameter of handle grip for comfortable grip-feel



BACK SUPPORT FOOT

Item#: SR028

Increases stability of the bottom part

SEWABLE SKID PLATE

Item#: KS001

The item is easy to sew on any luggage, backpack trolleys and more.



EXCLUSIVE

WHEEL

Wheel Diameter: 80mm

Short wheel housing body provides more space inside the bag. Sturdy wheel offers stable moving on the uneven pavements.



SPEEDLITE ROUND TRAY HANDLE

Item#:PY1010R26W11

Lightweight retractable handle with a comfort handle grip. We have multiple sizes which can match to any kind of gear bags



CALIBER WHEEL 90

Item#: WR029_WHL007

55mm high ground clearance for a reinforced edge design. Heavy duty wheels to take on dirt, grass, concrete, rocks, steps, and hills.



SPEEDLITE FLAT TRAY HANDLE

Item#: PY1010W11R28

Lightweight and sturdy design
Custom logo can be applied



EASY ACCESS MONO FOOT

Item#: SS004

Strong and durable foot keeps
luggage stand easily on the floor.



CALIBER WHEEL

Item#: WR030_WHL007
High ground clearance with
reinforced edge design



CALIBER WHEEL

Item#: WR030+ WH007

Wheel Diameter: 90mm

55mm high ground clearance & reinforced edge design. Large wheel makes the maneuvering easy on rough paths.



Ski bag - Snow - Europe - Peak Performance

Copyright © Trimmers. All rights reserved.

HALF MOON FOOT

Item#: SR004

Special design like half moon
Many sizes are available



LOCOMO TWILL WHEEL

Item#: WR058+WHL041

Wheel Diameter: 100mm

Sturdy and lightweight wheel with honey comb design. Aluminum frame provides stability with over 20 colors can be applied.



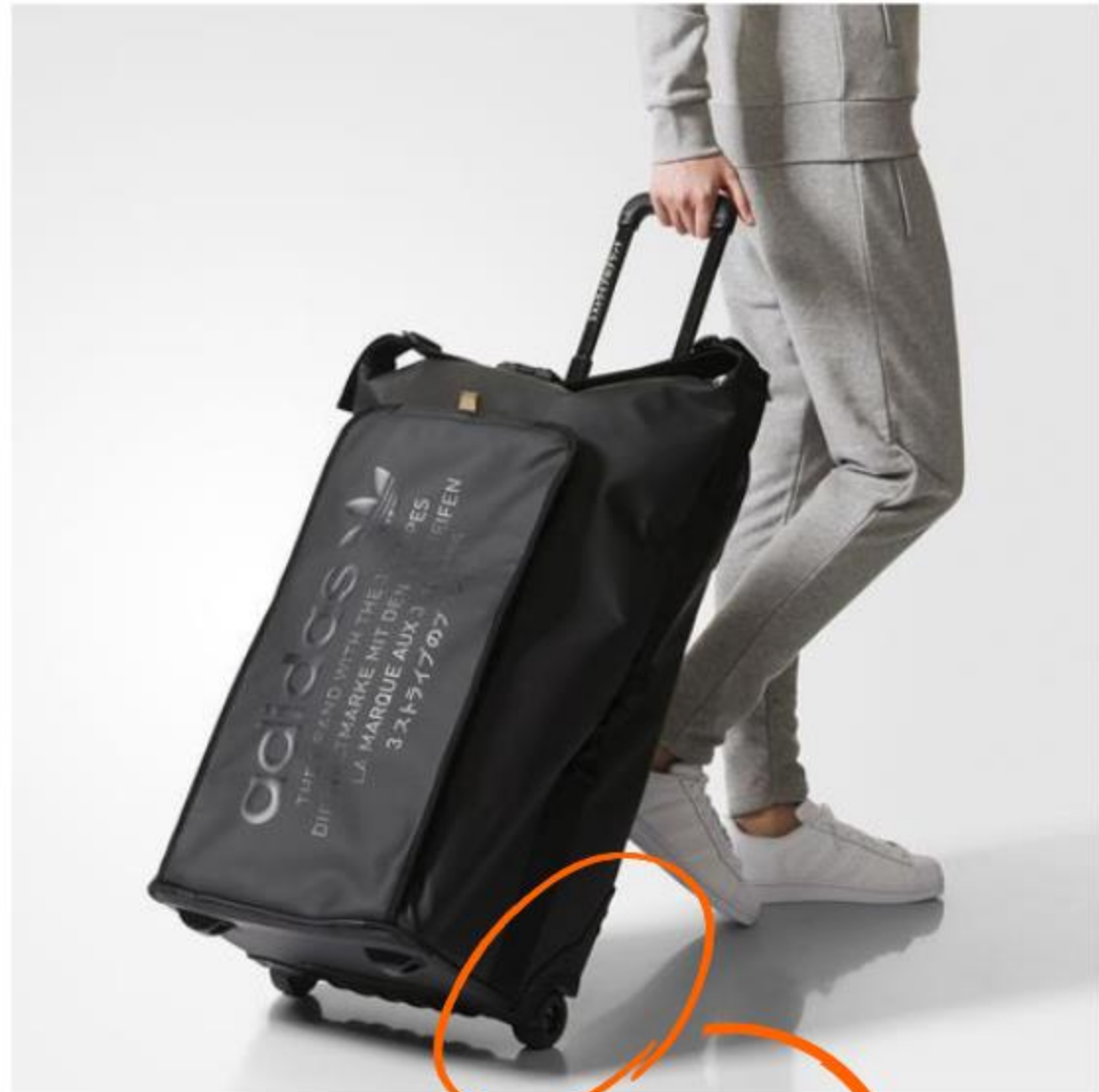


HYBRID WHEEL

Item#: WR034_WHL032

Wheel Diameter: 80mm

Long body design wheel housing
55mm high ground clearance
Ideally used on soft case luggage.



SKATE BOARD WHEEL

Item#: WR048+WHL027

Wheel Diameter: 60mm

Unique & vivid style wheel
Easy to assemble



EASY ACCESS MONO RAIL

Item#: SR008

Durable rail protects bottom of luggage from any damage



CRUISER SKID PLATE

Item#: KR005

Easy to glide over obstacles
with vertical pattern

SUPERLITE ROUND TRAY HANDLE

Item#: PY1414R34R25

Strong and sturdy construction
Durable rubber grip offers extra
comfort



CRUISER ROUND TRAY HANDLE

Item#: PY3203R27R28

Sturdy handle construction
Superb grip provides comfort
and feel



LOCOMO TWILL WHEEL

Item#: WR062+WHL045

Heavy duty oversized wheel
(diameter 84mm) equipped with
aircraft aluminum frame. Over 20
colors can be applied for aluminum
part. Strong and light weight tire
with honey comb design



CORNER PROTECTOR

Item#: CP011

Protect luggage from any damage
with rigid aluminum material



PC SHELL

Item#: SH005

EASY ACCESS MONO RAIL

Item#: SR008

Protect bag and luggage bottom from any impacts. Various sizes for any applications.



CALIBER WHEEL

Item#: WR029+WHL007

Wheel Diameter: 90mm

Designed with reinforced edge and high ground clearance which help the bag rolling smoothly on uneven surfaces.





SPEEDLITE FLAT TRAY HANDLE

Item#: PY1010R26W11

- Plastic handle grip / W-middle tray / R-bottom bracket
- Have multiple sizes, which can match any kind of gear bags



SLED WHEEL HOUSING + DOUBLE WHEEL + CUT RIM

Item#: WR045 + WHL034_1

Wheel Diameter: 62mm

They were designed with a unique & vivid style of slim wheel and double spinner wheel post, which helps the bag roll smoothly on bumpy roads.





CRUISER RETRACTABLE HANDLE

Sturdy aluminum telescoping handle with ergonomic handle grip for extra comfort



LOCOMO TWILL WHEEL 84MM

Locomo wheel system is equipped with heavy-duty aluminum side frames

A sleek, modern look with added performance

LOCOMO ADVENTURE BOTTOM COMPARTMENT

Item#: PY3203AL77W67 + WR062 + WHL045 + CP011

Luggage - Camping - USA - ORVIS

Copyright © Trimmers. All rights reserved.

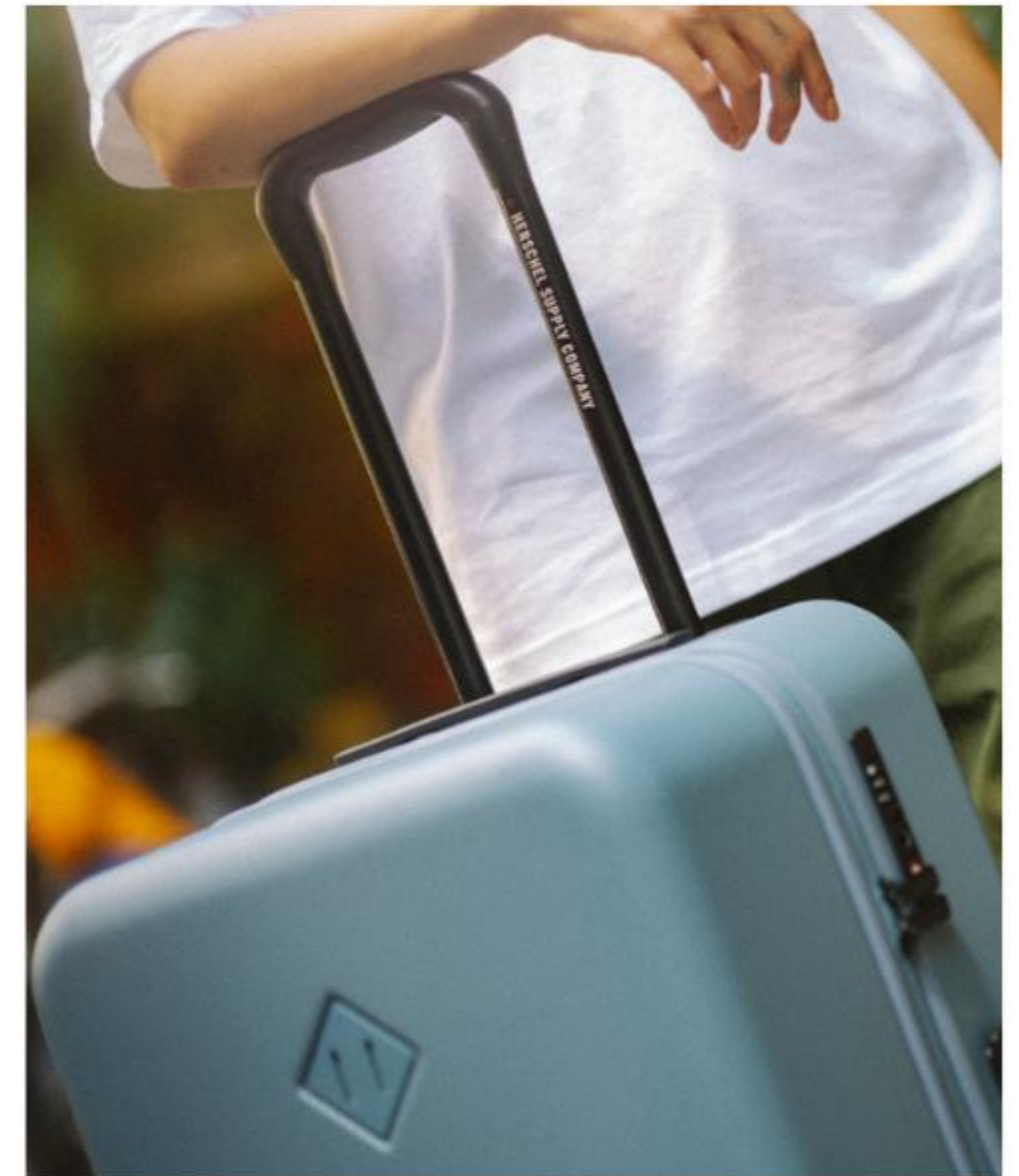
HERSCHEL HERITAGE™ HARDSHELL LUGGAGE



Built with 70% recycled polycarbonate, the Herschel Heritage™ Hardshell Luggage is impact-resistant and tough enough to handle all the journeys you're taking.



HERSCHEL CARRY ON LARGE HANDLE & HERSCHEL HANDLE GRIP



Luggage - Travel - Vancouver, Canada.

Copyright © Trimmers. All rights reserved.

**COTOPAXI
ALLPA 38L ROLLER BAG**

SUPERLITE SHELL TRAY HANDLE
Very light and durable handle systems



-  350mmL x 38.6mmW x 42.8mmH
-  300mmL x 32mmW x 32.5mmH
-  260mmL x 32mmW x 30mmH
-  247mmL x 32mmW x 43mmH

EASY ACCESS MONO FOOT

- Multiple sizes for any application
- Smooth profile with an integrated look

Luggage - Travel - USA - Cotopaxi



SUPERLITE BIKE WHEEL 80

- Recommended to use for molded foam back panel
- Very durable plastic housing



BARREL ROLLER M/L

TRAVEL

CRUISER FOOT
ITEM#: SR003



SEWABLE SKID PLATE
ITEM#: KS001



CRUISER ROUND TRAY HANDLE

- Black vacuum-plated trim on handle grip/middle tray/wheels
- Use a mechanical allen screw to connect the handle grip
- Seamless rubber part underneath the handle grip



CRUISER WHEEL HOUSING & LOCOMO TWILL WHEEL
Item#: WR031 + WHL045



THE NORTH FACE - ALL WEATHER 4-WHEELER

EXCLUSIVE



HINGE

PLASTIC FOOT

The plastic foot protects the luggage from damage when it is placed on the ground.



PC SHELL

The PC shell is a lightweight and durable material, resistant to scratches and dents.



TNF WHEEL

Smooth-rolling wheels make it easy to maneuver the luggage, even on rough surfaces.



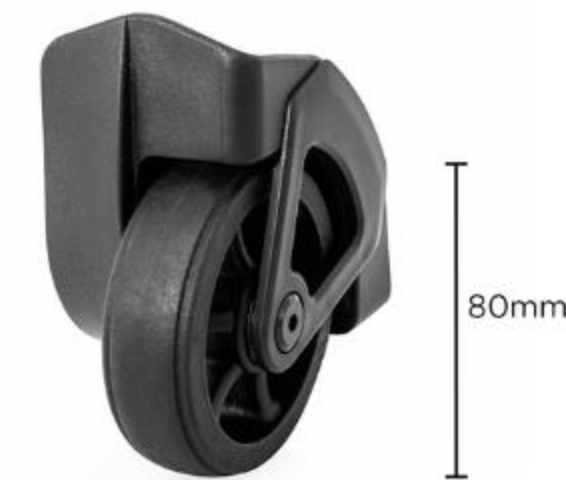
**EASY ACCESS
MONO FOOT**

Item#:: SS004

AKITA ROAD MASTER WHEEL

Item#: WR071 + WHL053

Constructed with high-strength materials, our wheels provide a smooth ride over rough terrain.





CRUISER RETRACTABLE HANDLE

Sturdy aluminum telescoping handle with ergonomic handle grip for extra comfort



LOCOMO TWILL WHEEL 84MM

Locomo wheel system is equipped with heavy-duty aluminum side frames

A sleek, modern look with added performance



HALF MOON FOOT



LOCOMO HARDSHELL BOTTOM COMPARTMENT

Item#: PY3203AL70W62_2 + WR062 + WHL045 + CP011
PY3203AL54W41_3 + WR062 + WHL045 + CP011

Luggage - Travel - USA - Mystery Ranch

Copyright © Trimmers. All rights reserved.

AKITA ROUND TRAY HANDLE FOR SOFT BAG

Item#: PY7205R64R50



AKITA ROAD MASTER SOFT SHELL WHEEL

- Unique and vivid slim type wheel
- Easy to assemble



EASY ACCESS MONO FOOT



EASY ACCESS MONO RAIL

- Multiple sizes for any application
- Perfect match with SpeedLite duffle wheel WR007 & Caliber wheel WR029



LOCOMO HARDSHELL BOTTOM COMPARTMENT

Item #: PY3203AL70W62_2 + WR062 + WHL045 + CP011

Size:

Large: 720mmH x 450mmW x 170mmD

Medium: 620mmH x 400mmW x 120mmD

Item#: PY3203AL54W41_3 + WR062 + WHL045 + CP011

Size:

Small: 526mmH x 336mmW x 105mmD



Luggage - Travel - Provo, Utah - Walker Family Goods

Copyright © Trimmers. All rights reserved.

XAD BOTTOM COMPARTMENT 42"

Item #: PY8403AL70W62-3 + WR106_WHL066 + SH197F/R + FM121

Size: 1052mm (H) x 456mm (W) x 349mm (D)

Wheel Diameter: 115mm

Our robust hardshell and aluminum frame combo delivers unparalleled protection for your gear, making it ideal for hunting, military, safety, and marine applications.

Spacious and adaptable: This generously sized bag can accommodate a variety of items for your next adventure.



Wheel housing PP + Wheel (Hub PP/ Tire EPDM) - smooth rolling wheels



LOCOMO HARDSHELL BOTTOM COMPARTMENT

Item #: PY3203AL70W62_2 + WR062 + WHL045 + CP011

Size:

- Large: 720mmH x 450mmW x 170mmD
- Medium: 620mmH x 400mmW x 120mmD

Item#: PY3203AL54W41_3 + WR062 + WHL045 + CP011

Size:

- Small: 526mmH x 336mmW x 105mmD

- **Poly Carbonate Vacuum Thermo Forming:** Utilizing advanced molding processes, each piece is meticulously crafted for strength and resilience.
- **Ultra-Light Construction:** Weighing just 800g, the Locomo redefines lightweight travel, ensuring effortless maneuverability without compromising durability.



- **Cruiser Handle Set:**

The external Cruiser Handle set provides additional interior packing space, optimizing organization while maintaining a sleek exterior.

- **Shock Absorbing Twill Wheels:**

Equipped with 84mm shock-absorbing twill wheels, featuring robust aluminum side frames for smooth and stable rolling over any terrain.

PELICAN

- **Pelican Bottom Compartment**

Pelican Shield™ technology, a hybrid material, provides quality construction and protection of a hard case with the versatility of a soft case.



- **Pelican Custom Handle**

The carry-on luggage features TSA locking latches, 360-degree spinner wheels, and **telescoping handle**.



LOCOMO ADVENTURE BOTTOM COMPARTMENT

Item #: PY3203AL77W67 + WR062 + WHL045 + CP011

PC Shell Dimension:

- Large: 800mmH x 380mmW x 126mmD
- Medium: 720mmH x 380mmW x 126mmD
- Small: 550mmH x 339mmW x 115mmD

Retractable Handle length:

- S: Retracted 39cm Extended 88cm
- M: Retracted 62.9cm Extended 92.5cm
- L: Retracted 70.9cm Extended 92.5cm



Low Profile Mono Foot
Item#: SR026

Wheel System:
84mm-diameter wheels with shock-absorbing spokes and heavy-duty aluminum side frames



Independent Bezel

- **Poly Carbonate Vacuum Thermo Forming:** Utilizing advanced molding processes, each piece is meticulously crafted for strength and resilience.
- **Ultra-Light Construction:** Weighing just 800g, the Locomo redefines lightweight travel, ensuring effortless maneuverability without compromising durability.

CONTACT INFORMATION

MAILING ADDRESS

Road 6, Song Than 3 Industrial Park,
Thu Dau Mot City, Binh Duong, Viet Nam

EMAIL ADDRESS

sales@trimmers-pro.com

PHONE NUMBER

(84) 274 3 798 700

